

# STEP 8



## ⚠ NOTICE - for novice

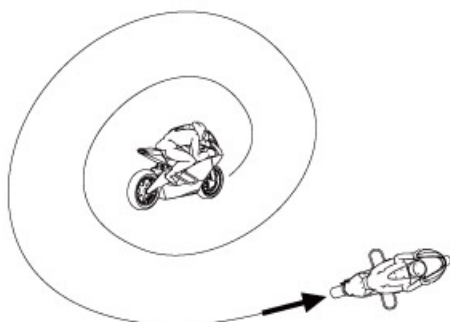
### Self-supported Start-up

Lower the nylon slider can be helpful for better traction to the wheels in a tilting attitude. Conversely, the lower the nylon sliders install the bigger radius of the bike turns. Please use this sheet instead of the corresponding instruction (P8 of the SB-5 Instruction Manual & Parts Catalogue) while you are still a beginner driver.

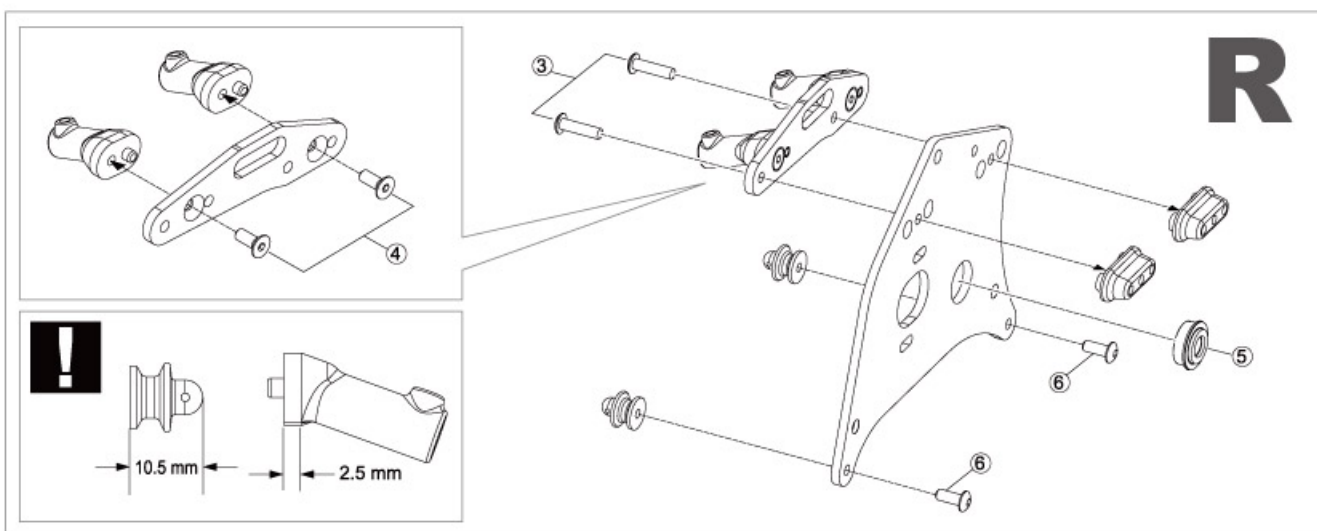
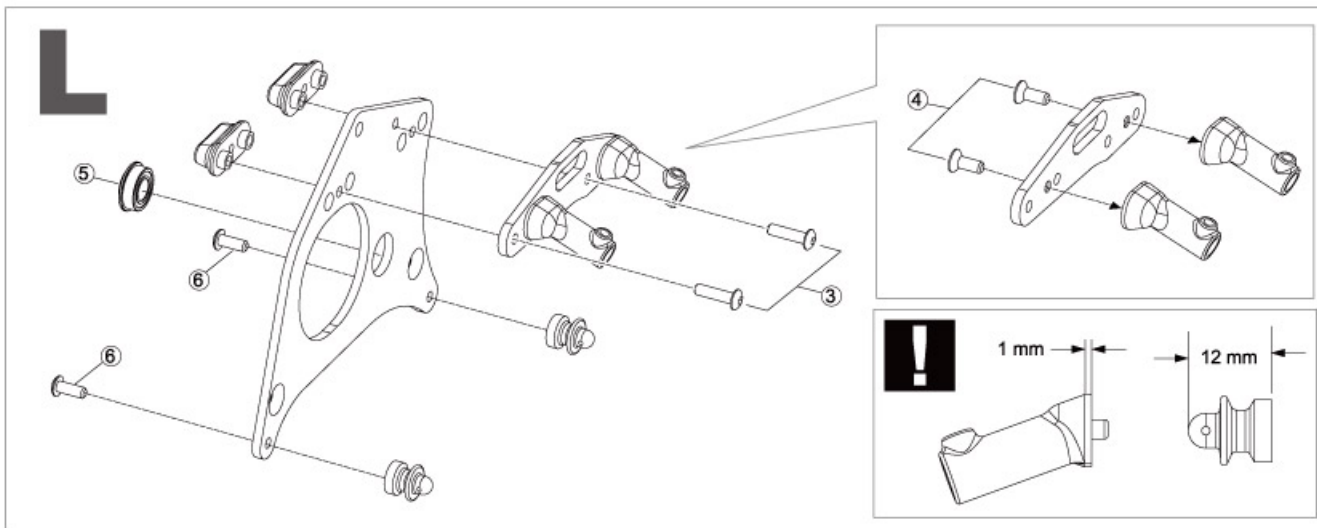
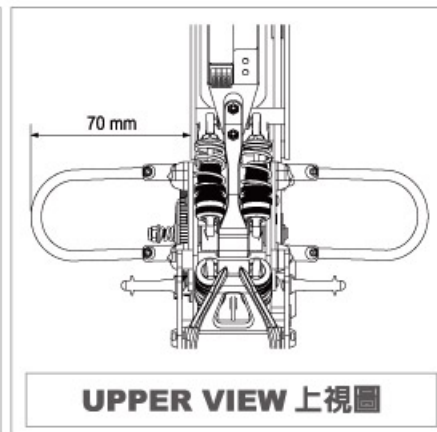
## ⚠ 初學者注意

### 原地自旋啟動

調整尼龍防傾桿的高低角度可幫助輪胎在原地自旋啟動時(車身傾斜)取得更多的抓地力。但相對地,當尼龍防傾桿角度越低時,則摩托車迴轉半徑也同樣隨著增加。請參考此說明書插頁取代原SB-5說明書與零件包型錄第八頁調整防傾桿角度高低以幫助初學者練習原地自旋啟動。



Self-supported Start-up  
原地自旋啟動



日本語: 初心者

Español: para principiantes

Italiano: per principianti

Deutsch: für Anfänger

Français: pour les debutants